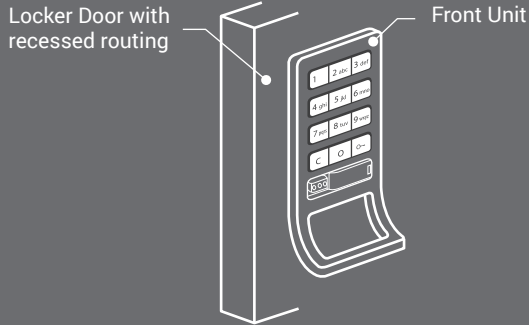
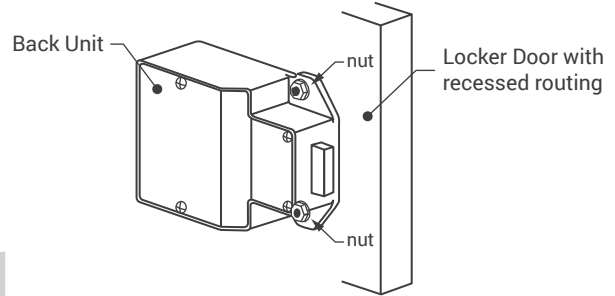


Removing Electronic Lock

FRONT VIEW

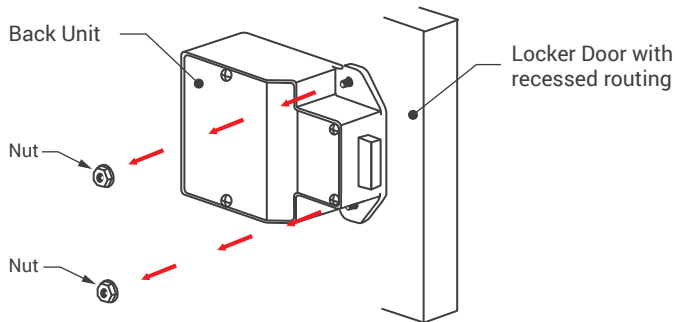


BACK VIEW



01

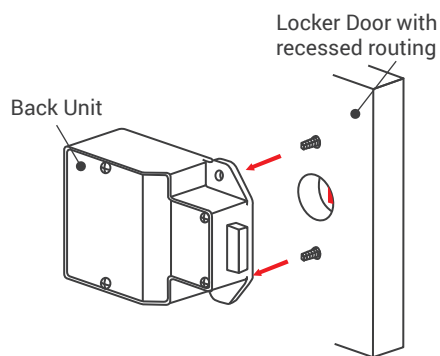
BACK VIEW



On the back of the door, remove the nut from the top and bottom screws.

02

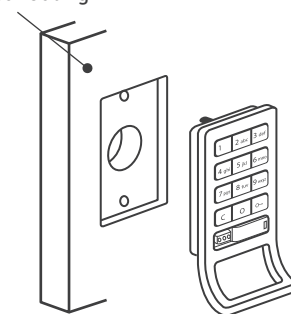
BACK VIEW



Remove the back unit from the back of the door while simultaneously pulling the front unit off.

03

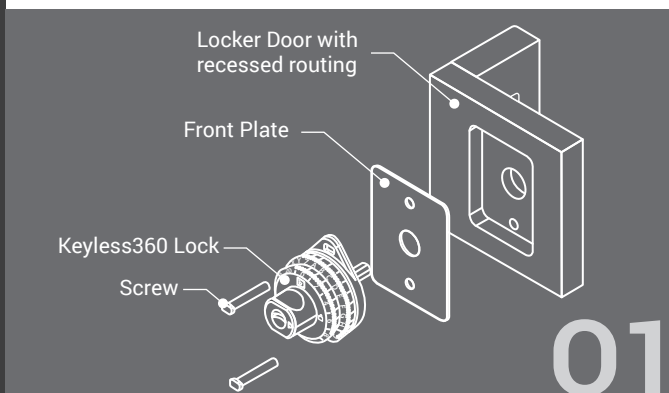
Locker Door with recessed routing



FRONT VIEW

Installing Keyless360

FRONT VIEW



Before installing, make sure you have the master key in case of accidental lock out.

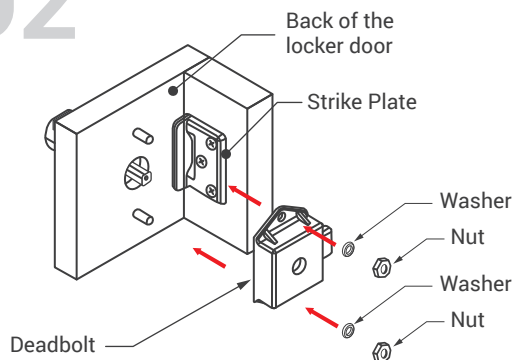
Place the Keyless360 Front Plate over the existing recessed routing.

Place the Keyless360 lock over the Front Plate.

Place the screw into the top routing, and the bottom routing holes.

02

BACK VIEW



On the back of the door attach the deadbolt. When attaching the deadbolt, make sure that the lock is in the locked position, and the bolt is facing the edge of the door.

Place the washer and then the nut over the back of the screw and secure tightly. Repeat this on the bottom screw.

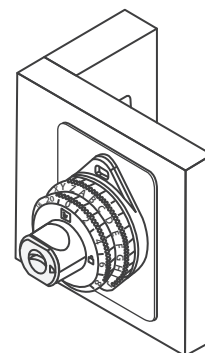
Ensure that the bolt and Strike Plate are aligned for proper latching.



03

FRONT VIEW

Your lock is now properly installed and ready to use.



To learn more visit www.keyless.co