

ASTI CEILING HOOK

ARCHITECTURAL SPECIFICATIONS

MATERIAL: STAINLESS STEEL 304



- **PART NUMBER:** ASTI-HOOK-B-SS
- **FINISH (STANDARD):** Brushed Stainless Steel
- **FINISHING PROCESS:** Electroplating



- **PART NUMBER:** ASTI-HOOK-MB-SS
- **FINISH (PREMIUM):** Matte Black | Munsell N2
- **FINISHING PROCESS:** Electrodeposition Coating

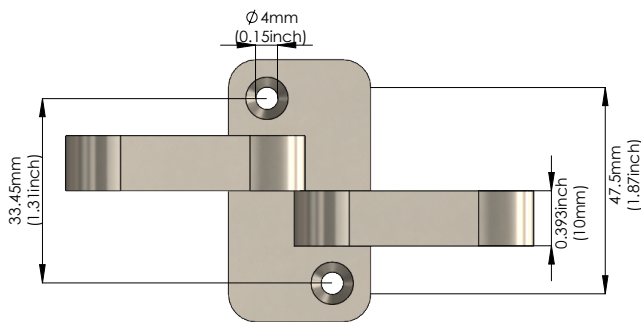


- **PART NUMBER:** ASTI-HOOK-MW-SS
- **FINISH (PREMIUM):** Matte White | Munsell N9
- **FINISHING PROCESS:** Epoxy Painting

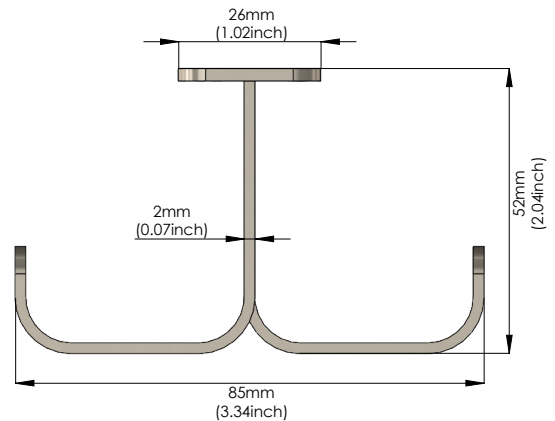
10% color discrepancy, and custom pricing options apply.

- **MATERIAL:** Stainless Steel 304
- **FINISHES:** Brushed Stainless Steel, Matte Black, Matte White
- **INCLUDED:** Satin nickel screws (quantity: 2)
- **TESTED:** Rust-resistant and perfect for humid environments
- **CLEANING:** When disinfecting, mist with liquid that is at least 70% alcohol solution in order to maintain product integrity
- **WEIGHT CAPACITY:** 50 lbs

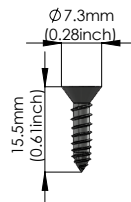
TOP VIEW



FRONT VIEW



SCREWS (SUS 304)



Manufactured By:

KEYLESS.CO

1825 W. Walnut Hill Ln., Suite 102, Irving, TX 75038, USA | +1 972-331-2770 | info@keyless.co | www.keyless.co | V: 3/4/2021