

TEPA KNOB

ARCHITECTURAL SPECIFICATIONS

MATERIAL: ZINC ALLOY 5



- **PART NUMBER:** TEPA-KNOB-SN
- **FINISH (STANDARD):** Satin Nickel
- **FINISHING PROCESS:** Electroplating

- **PART NUMBER:** TEPA-KNOB-MB
- **FINISH (PREMIUM):** Matte Black | Munsell N2
- **FINISHING PROCESS:** Electrodeposition Coating

- **PART NUMBER:** TEPA-KNOB-MW
- **FINISH (PREMIUM):** Matte White | Munsell N9
- **FINISHING PROCESS:** Epoxy Painting

- **PART NUMBER:** TEPA-KNOB-SG
- **FINISH (PREMIUM):** Satin Gold | Pantone #871C
- **FINISHING PROCESS:** Epoxy Painting

10% color discrepancy, and custom pricing options apply.

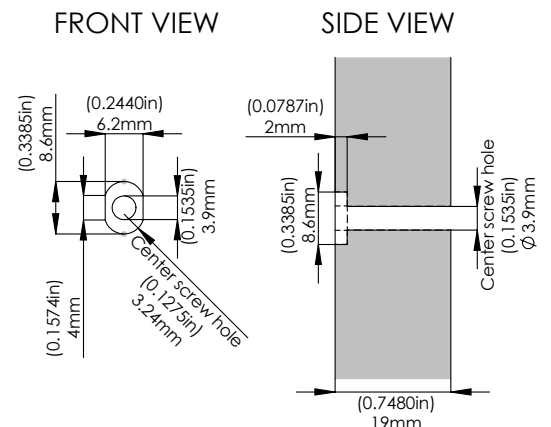
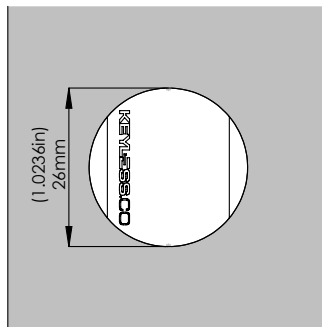
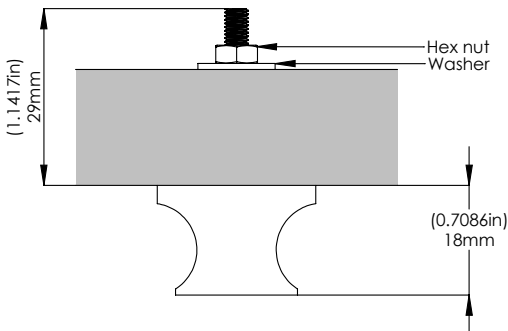
- **MATERIAL:** Zinc Alloy 5
- **FINISHES:** Satin Nickel, Matte Black, Matte White, Satin Gold
- **FIT:** door thickness minimum 1mm and maximum 25mm
- **TESTED:** Rust-resistant and perfect for humid environments

- **CLEANING:** When disinfecting, mist with at least 70% alcohol solution in order to maintain product integrity
- **NON-SLIP GRIP:** ergonomic for ease of opening locker

TOP VIEW

FRONT VIEW

DOOR ROUTING



Manufactured By:

KEYLESS.CO

1825 W. Walnut Hill Ln., Suite 102, Irving, TX 75038, USA | +1 972-331-2770 | info@keyless.co | www.keyless.co | V: 3/4/2021